

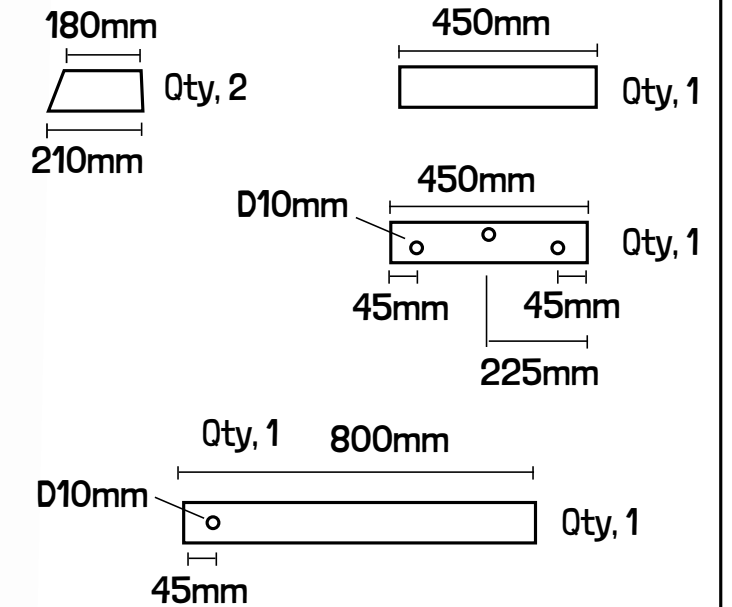
You will need to include a Handle on the Billy Cart to push it

Billy Cart Racer

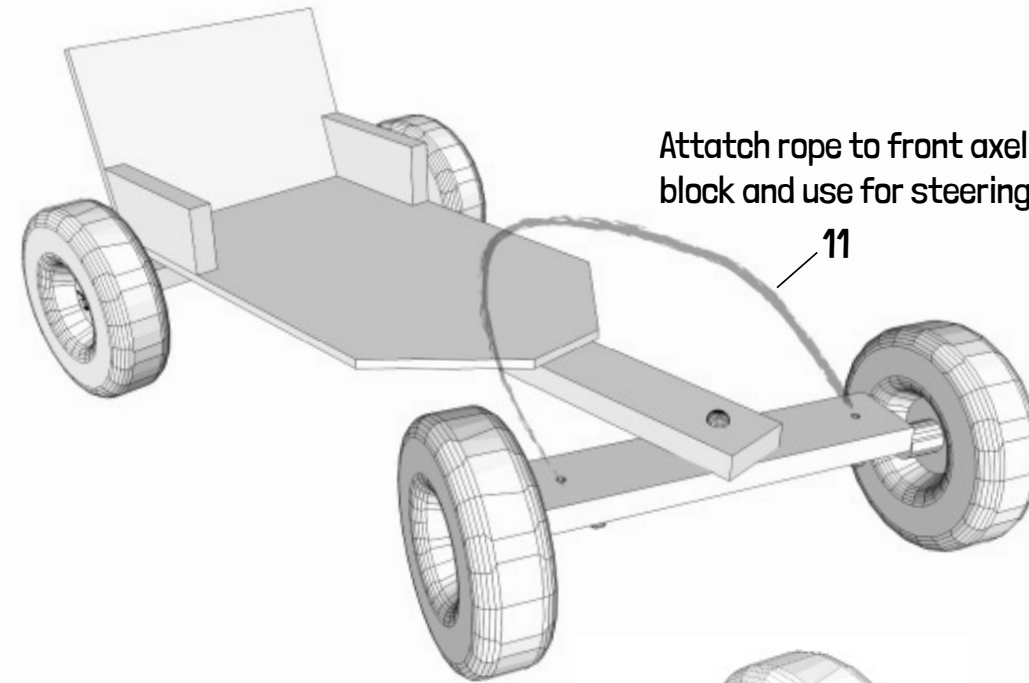
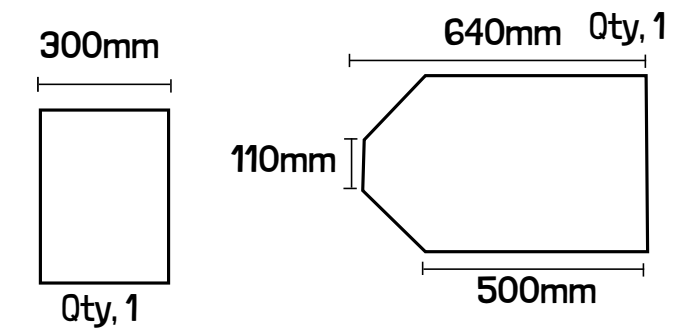
Components List		
No.	Description	Qty,
1	3.5 x 4" Pnuematic Trolley Wheel	4
2	1200 X 396 X 12mm Plywood BC	1
3	1200 X 90 X 35mm Pine	2
4	Axle 'Adjustable Ambassador' 450 - 600mm 1/2in	2
5	Mounting Brackets supplied with 'Adjustable Ambassador'	4
6	Split pin	4
7	Clear Vinyl Tubing 16mm X 2mm	1 Roll
8	Zenith M10 75mm Stainless Steel Cup-head bolt	1
9	M10 Hex Nut	2
10	M10 Washers	3
11	10mm Rope	1 Roll
12	25mm Wood Screws	as required

Wood Cutting List

1200 X 90 X 35mm Pine **No.3**

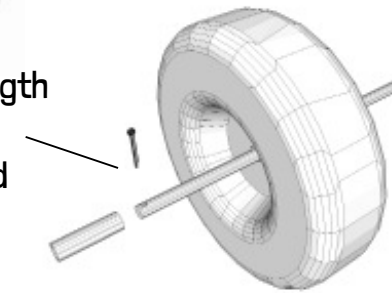


1200 X 396 X 12mm Plywood BC **No.2**



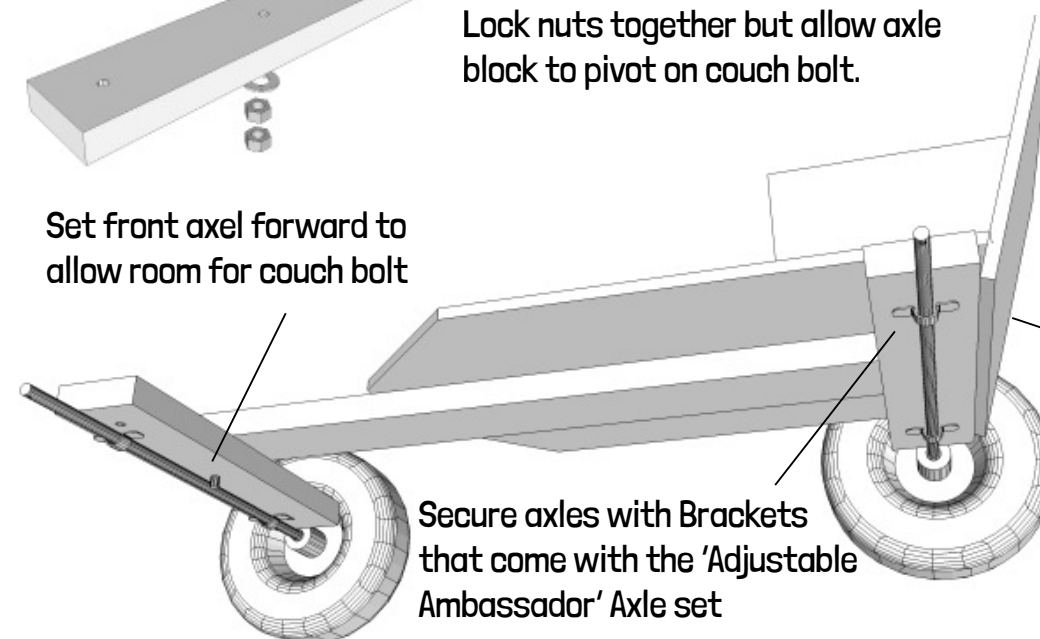
Attatch rope to front axel block and use for steering

Cut the clear vinyl tube to 60mm length and push onto axle. Slide wheel on to clear vinyl tube and secure ends with split pin



Attatch front axel block to chassis with couch bolt. Place Qty. 2 M10 washers between. Secure with M10 washer and Qty. 2 M10 hex nut from below. Lock nuts together but allow axle block to pivot on couch bolt.

Set front axel forward to allow room for couch bolt



Secure axles with Brackets that come with the 'Adjustable Ambassador' Axle set

Use the angled lengths of pine to set position of backingboard and screw in place

backingboard should finish level with the rear axle block

